

Gravity louvers grilles AG



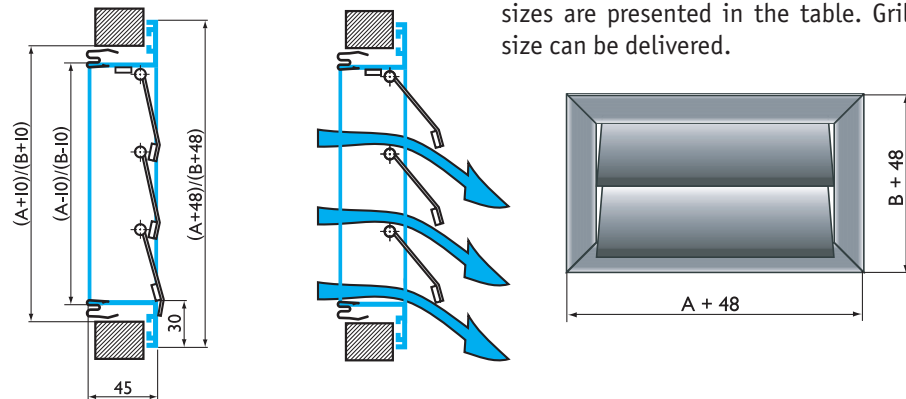
Aluminum gravity louvers grilles AG are intended for exhaust ventilation systems and used as a non-return air valve for automated closing of openings and switching off the ventilator.

Grilles are fitted with easily rotating aluminum louvers, mounted in a frame. Louvers are installed in such a way that when the ventilator is switched off they are closed by gravity. Grilles are mounted in air ducts by means of spring-loaded clamps fitted on side walls of grilles.

Gravity louvers are made from aluminum and are powder coated white color (RAL 9016).

Minimal size of grilles is 150 x 150 mm, maximal 1000 x 600 mm, spacing – 50 mm.

Technical characteristics of the grilles for available sizes are presented in the table. Grilles of any other size can be delivered.



Data for selection of gravity louvers grilles AG

A × B, mm	F _{0,2} , m ²	V ₀ , m/s													
		1,0	1,5	2,0	2,5	3,0	3,5	4,0	5,0	6,0	7,0	8,0	9,0	10,0	12,0
		ΔP _v , Pa													
		1	2	3	5	7	10	13	20	29	39	51	64	79	114
		L ₀ , m ³ /h													
400 × 200	0,07	260	390	530	660	790	920	1100	1300	1600	1800	2100	2400	2600	3200
500 × 250	0,12	420	630	840	1000	1300	1500	1700	2100	2500	2900	3300	3800	4200	5000
500 × 300	0,14	510	760	1000	1300	1500	1800	2000	2500	3000	3600	4100	4600	5100	6100
600 × 300	0,17	610	910	1200	1500	1800	2100	2400	3000	3700	4300	4900	5500	6100	7300
600 × 350	0,20	720	1100	1400	1800	2100	2500	2900	3600	4300	5000	5700	6400	7200	8600
700 × 400	0,27	960	1400	1900	2400	2900	3400	3800	4800	5800	6700	7700	8700	9600	11500
800 × 500	0,39	1400	2100	2800	3500	4200	4900	5500	6900	8300	9700	11100	12500	13900	16600
1000 × 500	0,48	1700	2600	3500	4300	5200	6100	6900	8700	10400	12100	13900	15600	17400	20800