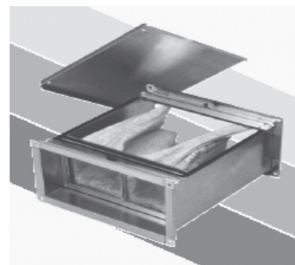
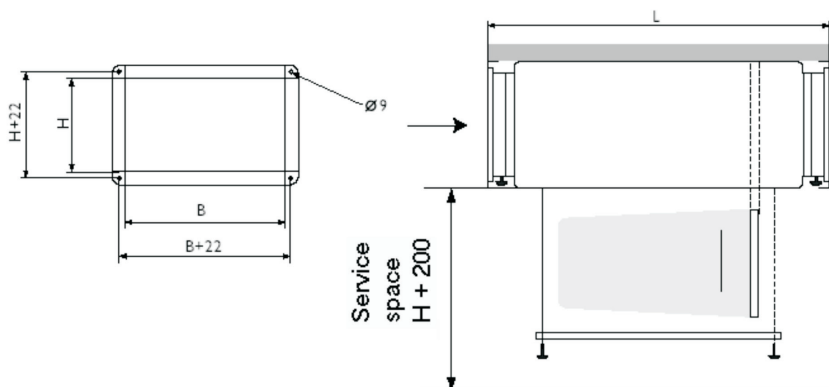


filters for rectangular air ducts FLR

Filterbox FLR is made of galvanized steel. FLR can be delivered with three different filter classes G4, F5, F7. Sizes from 300x150 mm to 1000x500 mm.



Dimensional data



Model	Dimensions, mm		
	B	H	L
FLR 300x150	300	150	375
FLR 400x200	400	200	500
FLR 500x250	500	250	600
FLR 500x300	500	300	562
FLR 600x300	600	300	642
FLR 600x350	600	350	717
FLR 700x400	700	400	778
FLR 800x500	800	500	900
FLR 1000x500	1000	500	1100